

# Technical data sheet

Product features



## Multi-function fixed braising pan bowl electric 40

<b>Model</b>	<b>SAP Code</b>	00013570
--------------	-----------------	----------



- Bottom material: Stainless steel - suitable for cooking, easy maintenance
- Bottom thickness: 16.00
- Basin volume [l]: 16
- Protection of controls: IPX5
- Basin dimensions [mm x mm x mm]: 300 x 680 x 100
- Service accessibility: Trough the frontal panel

<b>SAP Code</b>	00013570	<b>Power electric [kW]</b>	5.200
<b>Net Width [mm]</b>	400	<b>Loading</b>	400 V / 3N - 50 Hz
<b>Net Depth [mm]</b>	800	<b>Bottom material</b>	Stainless steel - suitable for cooking, easy maintenance
<b>Net Height [mm]</b>	280	<b>Basin volume [l]</b>	16
<b>Net Weight [kg]</b>	50.00		

# Technical data sheet

Technical drawing

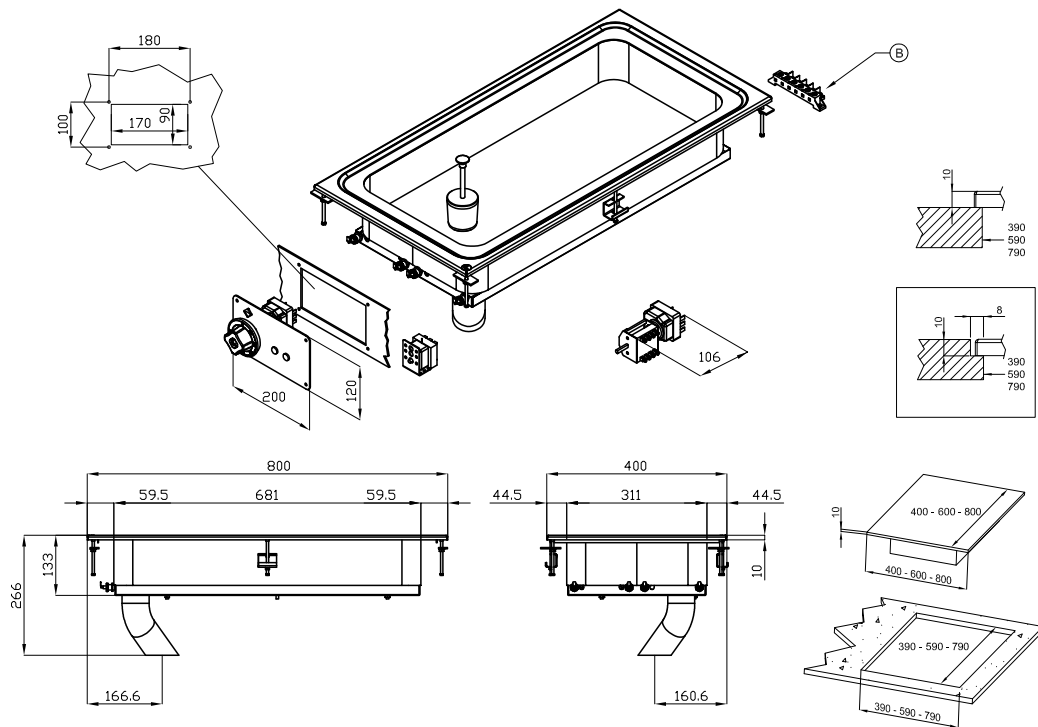


## Multi-function fixed braising pan bowl electric 40

Model

SAP Code

00013570



A	Data plate		B	Electrical connection	
---	------------	--	---	-----------------------	--

# Technical data sheet

Technical parameters



## Multi-function fixed braising pan bowl electric 40

Model

SAP Code

00013570

**1. SAP Code:**

00013570

**2. Net Width [mm]:**

400

**3. Net Depth [mm]:**

800

**4. Net Height [mm]:**

280

**5. Net Weight [kg]:**

50.00

**6. Gross Width [mm]:**

430

**7. Gross depth [mm]:**

970

**8. Gross Height [mm]:**

540

**9. Gross Weight [kg]:**

60.00

**10. Device type:**

Electric unit

**11. Construction type of device:**

Drop-in

**12. Power electric [kW]:**

5.200

**13. Loading:**

400 V / 3N - 50 Hz

**14. Protection of controls:**

IPX5

**15. Material:**

AISI 304

**16. Indicators:**

operation and warm-up

**17. Basin volume [l]:**

16

**18. Basin dimensions [mm x mm x mm]:**

300 x 680 x 100

**19. Maximum device temperature [°C]:**

300

**20. Minimum device temperature [°C]:**

50

**21. Power control type:**

knob control

**22. Service accessibility:**

Trough the frontal panel

**23. Bottom thickness:**

16.00

**24. Bottom material:**

Stainless steel - suitable for cooking, easy maintenance

**25. Drain:**

Yes